






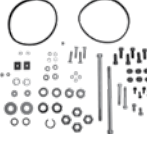








Group:	M125R	Notes: Refer to SP1015 -DWG for major component drawing. Refer to TSB-3016 for hardware kit breakdown.
Form:	SP1015-M125	
Date:	April 27, 2012	
File:	Starter Motor Parts List Section	


Component View	Drive / Shaft Assembly	Drive Assembly	Shaft Assembly	Solenoid Assembly	Brushholder Assembly	C.E. Housing Assembly
						
Model	1	1A	1B	2	3	4
M125R2001SEP	K072105476S	N/A	N/A	S214104463S	M007105863S	M012105498S
M125R2001SEPN	K072105476S	N/A	N/A	S214104463S	M007105863S	M012105498S
M125R2002SEPN	N/A	M029520158S	M365520027S	S214104463S	M007105863S	M012520149S
M125R2005SEP	N/A	M029104679S	M365520027S	S214104463S	M007105863S	M012105498S
M125R2028SEPN	N/A	M029520020S	M365520027S	S214104463S	M007105863S	M012105498S
M125R3001SEP	K072105476S	N/A	N/A	S214104597S	M007105863S	M012105498S
M125R3003SEP	N/A	M029104679S	M365520027S	S214104597S	M007105863S	M012105498S
M125R3004SEP	N/A	M029520020S	M365520027S	S214104597S	M007105863S	M012105498S

Component View	Shift Housing Assembly	Armature Assembly	Field and Frame Assembly	Nose Housing Assembly	Hardware / O Ring Kit	Brushes Kit
						
Model	5	6	7	8	9	10
M125R2001SEP	M777105489S	M002104488S	M016104423S	M014104581S	K212103968S	K185103966S
M125R2001SEPN	M777105489S	M002104488S	M016104423S	M014104581S	K212103968S	K185103966S
M125R2002SEPN	M777520151S	M002104488S	M016104423S	M014520157S	K212103968S	K185103966S
M125R2005SEP	M777105489S	M002104488S	M016104423S	M014104581S	K212103968S	K185103966S
M125R2028SEPN	M777105489S	M002104488S	M016104423S	M014104581S	K212103968S	K185103966S
M125R3001SEP	M777105489S	M002105202S	M016105210S	M005105265S	K212103968S	K185103981S
M125R3003SEP	M777105489S	M002105202S	M016105210S	M005105265S	K212103968S	K185103981S
M125R3004SEP	M777105489S	M002105202S	M016105210S	M005105265S	K212103968S	K185103981S

Important: The information contained in this bulletin is intended for use by trained, professional technicians who have the proper tools, equipment, and training to perform the required maintenance described above. This information is NOT intended for 'do-it-yourselfers', and you should not assume that this information applies to your equipment. If you have any questions regarding this information please visit our website at www.prestolite.com, or contact our technical service department at:

Group:	M125R	Notes: Refer to SP1015 -DWG for major component drawing. Refer to TSB-3016 for hardware kit breakdown.
Form:	SP1015-M125	
Date:	April 27, 2012	
File:	Starter Motor Parts List Section	

Component View	Soft Start Relay w Leads	Thrust Washer Kit	Gearbox Overhaul Kit	Jumper	Jump Start Shroud
					
Model	11	12	13	14	15
M125R2001SEP	S214105701S	K185103967S	K183103965S	M047105562S	N/A
M125R2001SEPN	S214105701S	K185103967S	K183103965S	M047105562S	N/A
M125R2002SEPN	S214105701S	K185103967S	K183103965S	M047105607S	N/A
M125R2005SEP	S214105701S	K185103967S	K183103965S	M047105562S	N/A
M125R2028SEPN	S214105702S	K185103967S	K183103965S	M047105562S	N/A
M125R3001SEP	S214105551S	K185103967S	K183103965S	M047105562S	N/A
M125R3003SEP	S214105551S	K185103967S	K183103965S	M047105562S	N/A
M125R3004SEP	S214104648S	K185103967S	K183103965S	M047105562S	S038104493S

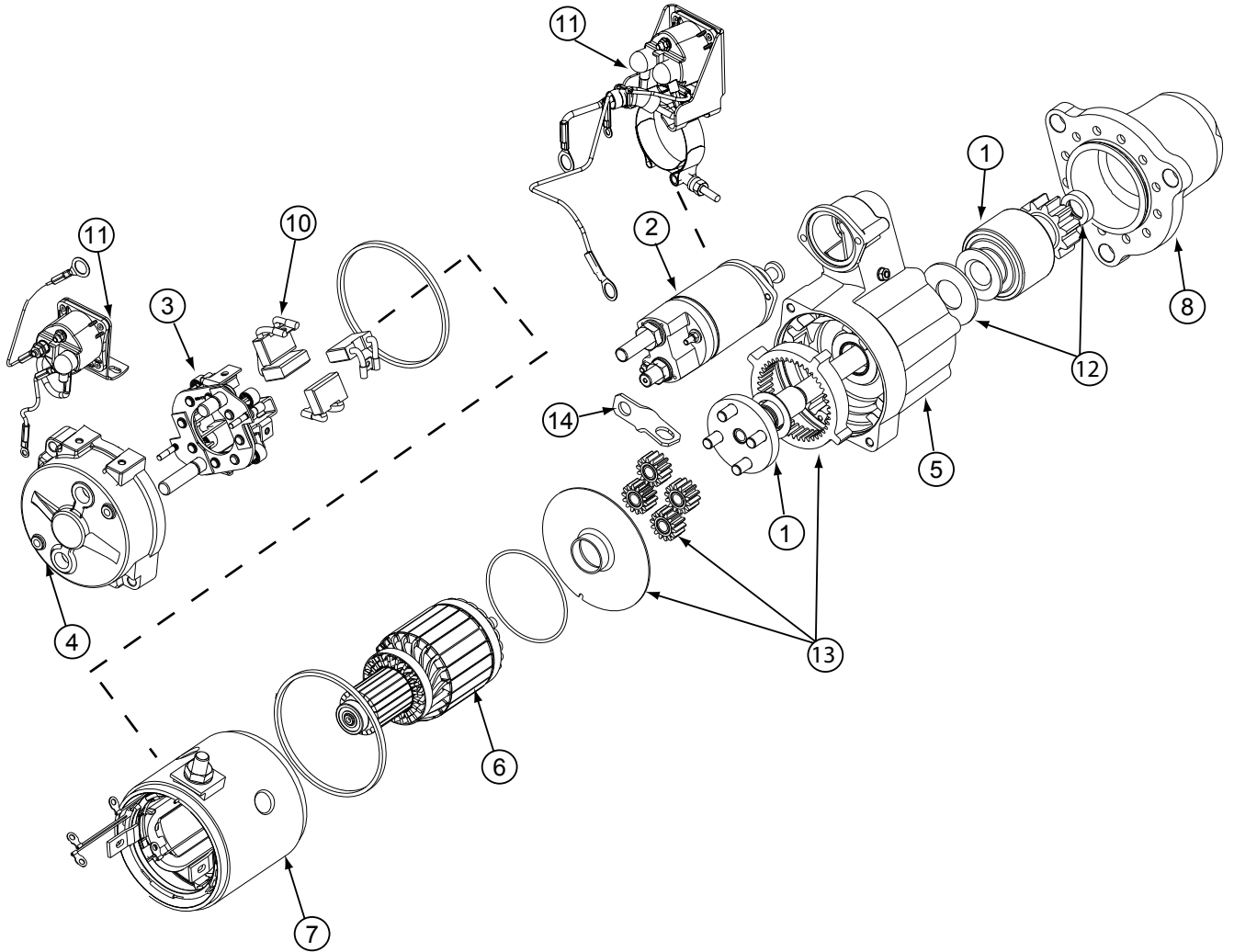
Component View	OCP By-pass Plug
	
Model	
All Models	M264105399S

NOTE: All M125R starter motors have the OCP feature built in. If the starter being removed incorporates an OCP connection, we have a by-pass plug available that would by-pass the vehicle's OCP circuit. This is done by simply snapping the by-pass plug into the vehicle's connector/plug.

Important: The information contained in this bulletin is intended for use by trained, professional technicians who have the proper tools, equipment, and training to perform the required maintenance described above. This information is NOT intended for 'do-it-yourselfers', and you should not assume that this information applies to your equipment. If you have any questions regarding this information please visit our website at www.prestolite.com, or contact our technical service department at:

Group:	M125 Starters	Notes:
Form:	SP1015-DWG	Refer to SP1015 for parts breakdown.
Date:	October 14, 2010	Refer to TSB-3016 for hardware kit breakdown.
File:	Starter Parts List Section	

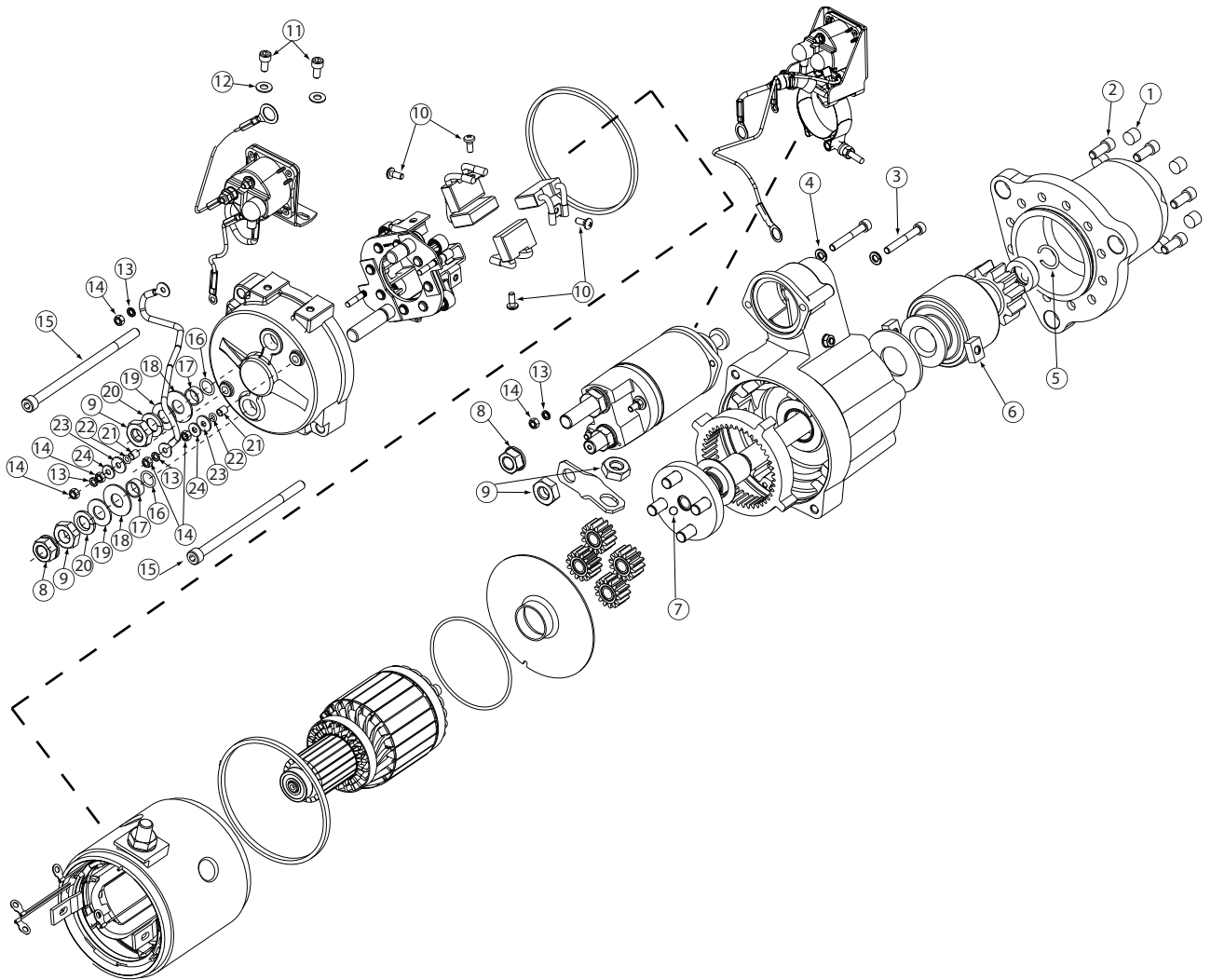
M125 Series Starter Motors



See TSB-3016
for Hardware Kit
breakdown

Important: The information contained in this bulletin is intended for use by trained, professional technicians who have the proper tools, equipment, and training to perform the required maintenance described above. This information is NOT intended for 'do-it-yourselfers', and you should not assume that this information applies to your equipment. If you have any questions regarding this information please visit our website at www.prestolite.com, or contact our technical service department at:

Source: Leece-Neville Heavy Duty Systems Division - Arcade, NY USA
Date: October 14, 2010
Bulletin No: TSB-3016
Models: M125R Starter Motor
Subject: Hardware kit for M125R starter motors K212103968S



Important: The information contained in this bulletin is intended for use by trained, professional technicians who have the proper tools, equipment, and training to perform the required maintenance described above. This information is NOT intended for 'do-it-yourselfers', and you should not assume that this information applies to your equipment. If you have any questions regarding this information please visit our website at www.prestolite.com, or contact our technical service department at:

Date: February 26, 2010

Bulletin No: TSB-3016

Note: All of these components are part of the hardware kit and not available for individual purchase.

Description	Qty.	Key	Where used
Rubber Plug	6	1	Rubber nose housing plugs
Screw, Socket Head	6	2	Attaches nose housing to shift lever housing
Screw, Socket Head	2	3	Attaches solenoid to shift lever housing
Lockwasher	2	4	Lockwashers for Key 3 bolts
Snap Ring	1	5	Drive shaft snap ring
Cam, Lever Arm	2	6	Cams for drive assy
Thrush Ball	1	7	Used in gear box assy
Nut, Hex Flange	2	8	Attaches customers cables to starter
Nut, Hex Jam	4	9	Negative stud hardware/ motor strap
Steel Screws	4	10	Brush Screws
Screw, Socket Head	2	11	Attach helper relay to CE Hsg
Washer, Flat	2	12	Flat washers for Key 11 screws
Washer, Lock	4	13	Used in various locations. See iso view
Nut, Hex	4	14	Used in various locations. See iso view
Bolt	2	15	Attach CE housing to motor
O-Ring	2	16	Seals studs on CE housing
Bushing, Insulation	2	17	Insulates studs on CE housing
Washer, Insulating	2	18	Insulates studs on CE housing
Washer, Flat	2	19	Negative stud hardware
Washer, Lock	2	20	Negative stud hardware
Sleeve, Insulating	2	21	Insulates studs on CE housing
O-Ring	2	22	Seals studs on CE housing
Washer, Insulating	2	23	Insulates studs on CE housing
Washer, Flat	2	24	Attaches brush gear to CE hsg

Important: The information contained in this bulletin is intended for use by trained, professional technicians who have the proper tools, equipment, and training to perform the required maintenance described above. This information is NOT intended for 'do-it-yourselfers', and you should not assume that this information applies to your equipment. If you have any questions regarding this information please visit our website at www.prestolite.com, or contact our technical service department at: